

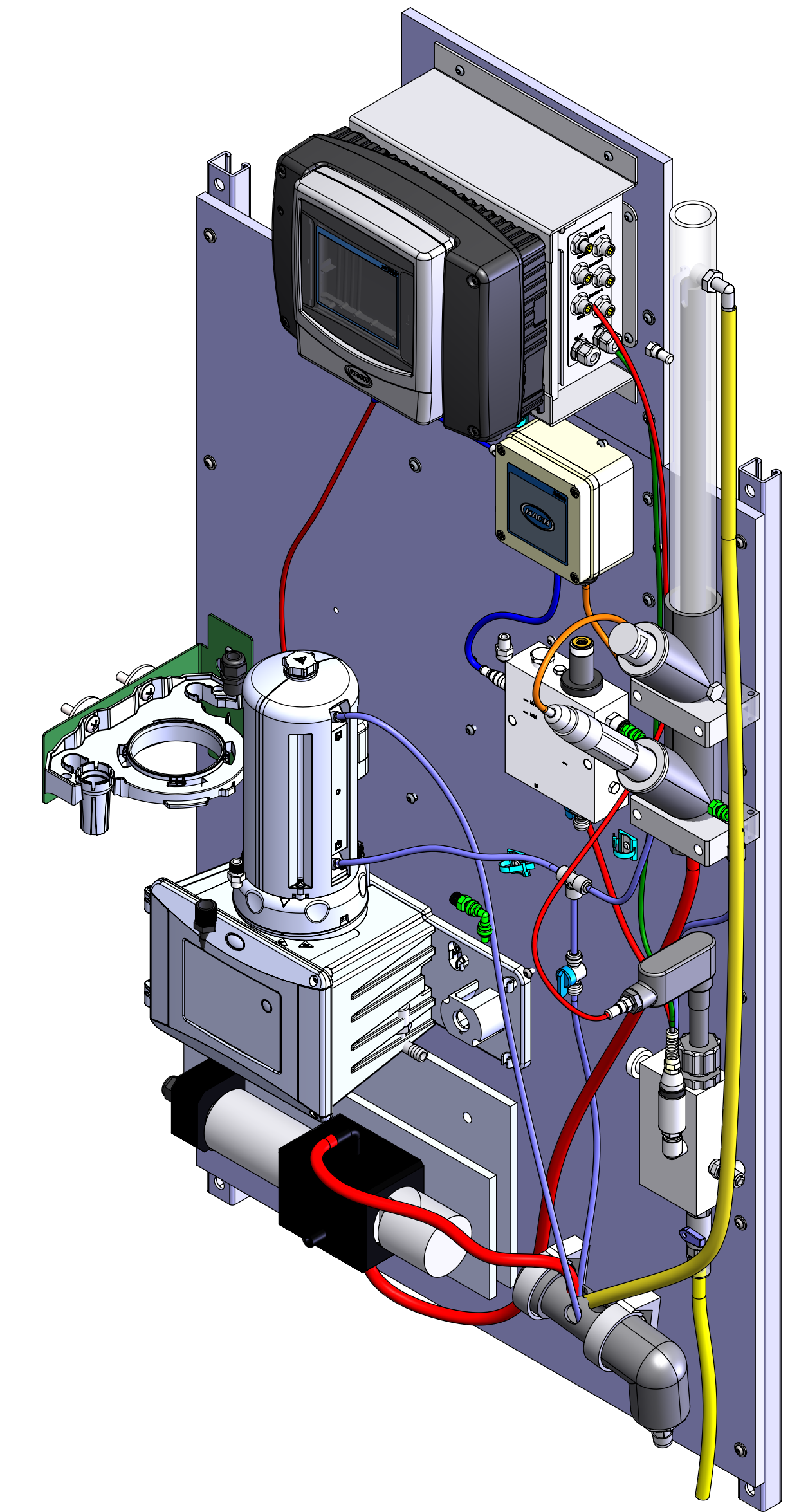
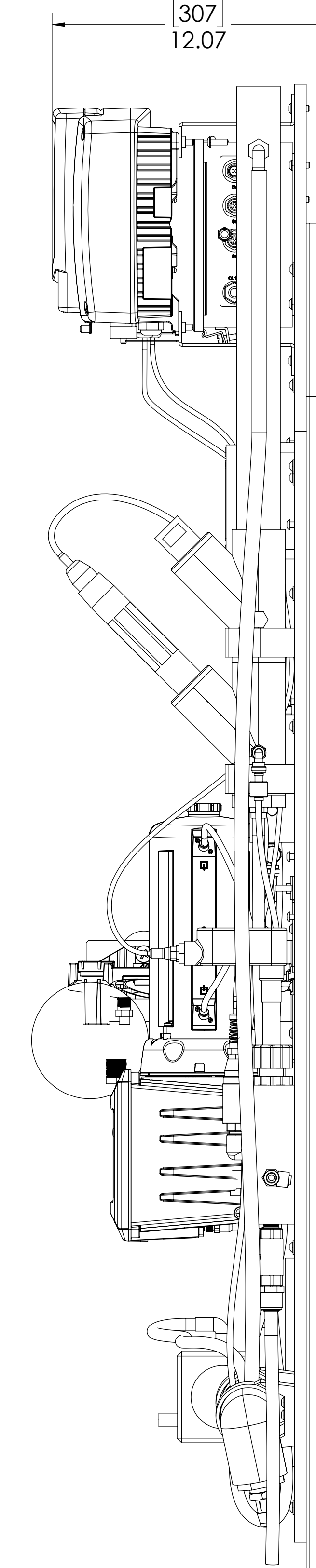
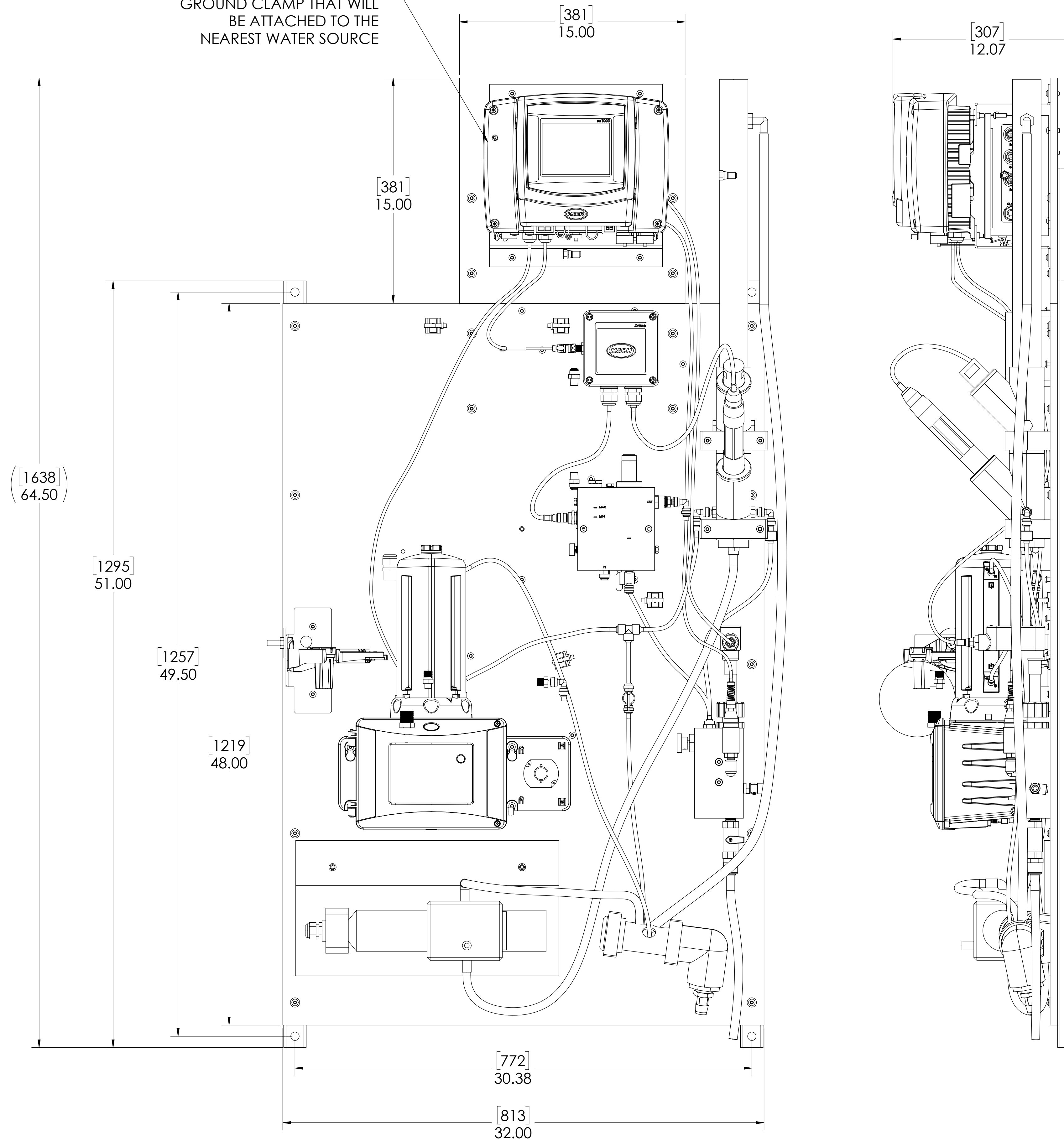
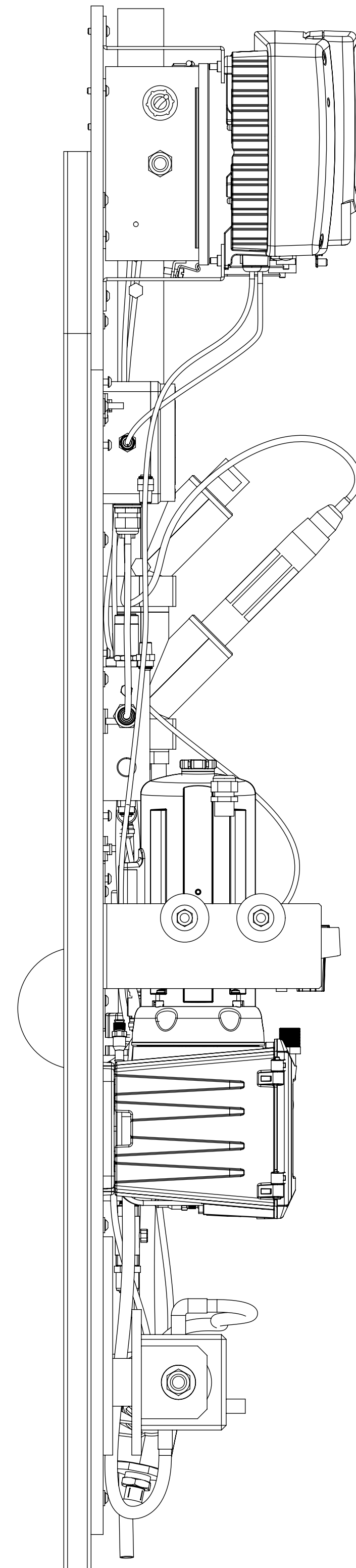
ITB No. 21-101396 SCWTP Electrical Building No. 2 Structural Building Design Improvements & Distribution System Panels Installation

REVISION			
REV	DESCRIPTION	ECO #	DATE
A		Concept	

NOTES:

1. DIMENSION ARE IN INCHES [ MILLIMETERS]

SC1000 WILL HAVE A GROUND CLAMP THAT WILL BE ATTACHED TO THE NEAREST WATER SOURCE



PART CLASSIFICATION	THE SOLID CAD FILE IS THE CONTROLLING AUTHORITY FOR PART GEOMETRY UNLESS OTHERWISE SPECIFIED.	NAME	DATE
		ENGINEER	1/27/1800
MATERIAL	DIMENSIONS ARE IN INCHES (MM)	DRAWN	1/27/1800
HACH MATERIAL PART NUMBER	TOLERANCES:	CHECKED	1/27/1800
	X = ± .03 XX = ± .01 XXX = ± .005 ANGLES = ± .5°	PRODUCTION	
NOTICE: HACH COMPANY CLAIMS PROPRIETARY RIGHTS IN THE INFORMATION DISCLOSED ON THIS DRAWING. IT IS ISSUED IN CONFORMANCE WITH THE ENGINEERING INFORMATION ONLY AND MAY NOT BE USED TO MANUFACTURE ANYTHING, WHETHER OR NOT SHOWN HEREON, REPRODUCED OR DISCLOSED TO ANYONE WITHOUT DIRECT PERMISSION FROM HACH COMPANY.	ALL DIMENSIONS SHALL BE HELD TO SURFACE UNLESS OTHERWISE SPECIFIED. REFER TO SURFACE PROFILES AS FOLLOWS: D10 FOR FEATURES < 4.0" D20 FOR FEATURES > 4.0" - 10.0" D30 FOR FEATURES > 10.0"	INTERPRET GEOMETRIC TOLERANCING PER: AS9114.5M 1994	
		THIRD ANGLE PROJECTION	
		DO NOT SCALE DRAWING	

HACH COMPANY 5600 LINDBERGH DR. LOVELAND, CO. 80538	
TITLE: wdmpsc_bare foot beach 48X32	
SIZE DWG. NO. D	REV A
SCALE: 1:4	SHEET 1 OF 1